

**AlexAllen  
Studio**

AlexAllen Studio LLC  
302 3rd Avenue  
Brooklyn, NY 11215  
T: +1 (917) 909-0405  
info@alexallenstudio.com  
www.alexallenstudio.com

## 2x4 Pendant (4ft)



Natural Wood, Blackened Steel Hardware



### PRODUCT INFORMATION

**Year of Design:**  
2013

**Country of Manufacture:**  
Brooklyn, NY, USA

**Materials:**  
LED, Sustainably Harvested  
Eastern White Pine, Steel,  
Brass, Aluminum, and  
Acrylic

**Certifications:**  
Damp Location  
UL listed (US and Canada)

**Warranty:** 5 years

**Fixture Weight:**  
5 lbs / 2.25 kg

**Shipping Size and Weight:**  
60" L x 10" W x 10" H  
152 cm x 25 cm x 25 cm  
10 lbs / 4.5 kg

### SPECIFICATIONS

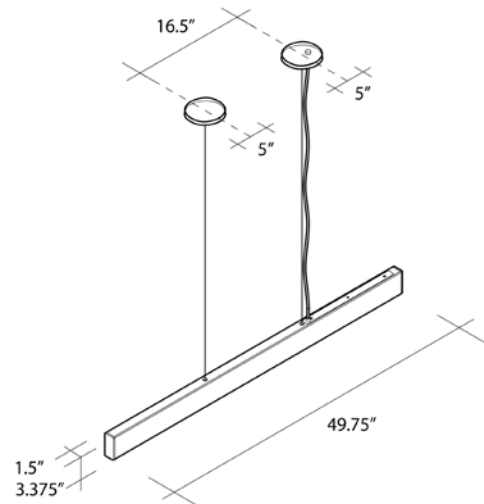
Flexible LED Module (>60,000 Hour Lifespan)  
Universal Voltage 120V-277V, 50Hz/60Hz

**Dimming Options:**  
TRIAC/ELV or 0-10 V Control\*  
\*SEE ASSEMBLY GUIDE FOR COMPATIBLE  
DIMMERS

**Standard Output:** 544 Lumens, 96 CRI,  
16W  
**High Output:** 1200 Lumens, 86 CRI, 20W

**LED Temperatures (K):** 2200, 2500, 2700,  
3000, 3500, 4000, 5000

**Cord Length\*:**  
120" / 304.8 cm, Field Adjustable\*

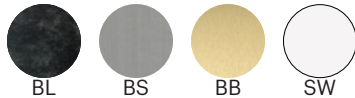


### FINISH OPTIONS

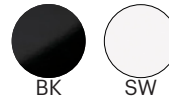
**Wood Finishes:** Natural,  
Whitewashed or Black Dye



**Endcap Finishes:** Blackened Steel, Brushed Steel,  
Brushed Brass, Satin White



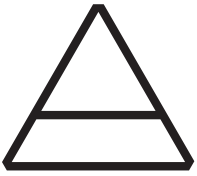
**Cord and Canopy Color:**  
Black or White



### SPECIFICATION CODE

Fixture	Size	Wood Finish	LED Temp	Brightness	Dimming	Endcaps	Canopy Color	Cord Color
<b>2X4P</b>	<b>048</b>							
	<b>048</b> - 4' <b>072</b> - 6' <b>096</b> - 8' <b>120</b> - 10' <b>144</b> - 12'	<b>NA</b> - Natural <b>WW</b> - White-washed <b>BD</b> - Black Dye	<b>22</b> - 2200K <b>25</b> - 2500K <b>27</b> - 2700K <b>30</b> - 3000K <b>35</b> - 3500K <b>40</b> - 4000K <b>50</b> - 5000K	<b>SB</b> - Standard Brightness <b>HB</b> - High Brightness	<b>UNV</b> - TRIAC/ ELV Control <b>O10</b> - 0-10V	<b>NO</b> - No end caps <b>BL</b> - Blackened Steel <b>BS</b> - Brushed Steel <b>BB</b> - Brushed Brass <b>SW</b> - Satin White	<b>SW</b> - Satin White <b>BK</b> - Black	<b>SW</b> - Satin White <b>BK</b> - Black





**AlexAllen  
Studio**

AlexAllen Studio LLC  
302 3rd Avenue  
Brooklyn, NY 11215  
T: +1 (917) 909-0405  
info@alexallenstudio.com  
www.alexallenstudio.com

# 2x4 Pendant (6ft)



Shown: Natural Wood, Stain White Hardware



## PRODUCT INFORMATION

**Year of Design:**  
2013

**Country of Manufacture:**  
Brooklyn, NY, USA

**Materials:**  
LED, Sustainably Harvested Eastern White Pine, Steel, Brass, Aluminum, and Acrylic

**Certifications:**  
Damp Location  
UL listed (US and Canada)

**Warranty:** 5 years

**Fixture Weight:**  
7.5 lbs / 3.4 kg

**Shipping Size and Weight:**  
84" L x 10" W x 10" H  
213 cm x 25 cm x 25 cm  
15 lbs / 6.8 kg

## SPECIFICATIONS

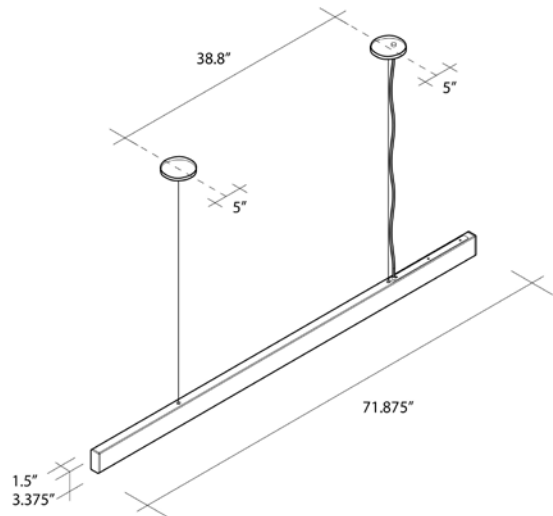
Flexible LED Module (>60,000 Hour Lifespan)  
Universal Voltage 120V-277V, 50Hz/60Hz

**Dimming Options:**  
TRIAC/ELV or 0-10 V Control\*  
\*SEE ASSEMBLY GUIDE FOR COMPATIBLE DIMMERS

**Standard Output:** 802 Lumens, 96 CRI, 24W  
**High Output:** 1768 Lumens, 86 CRI, 34W

**LED Temperatures (K):** 2200, 2500, 2700, 3000, 3500, 4000, 5000

**Cord Length\*:**  
120" / 304.8 cm, Field Adjustable\*

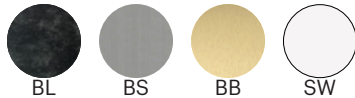


## FINISH OPTIONS

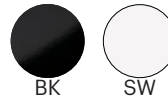
**Wood Finishes:** Natural, Whitewashed or Black Dye



**Endcap Finishes:** Blackened Steel, Brushed Steel, Brushed Brass, Satin White



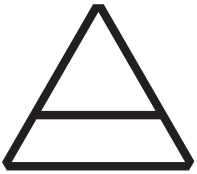
**Cord and Canopy Color:** Black or White



## SPECIFICATION CODE

Fixture	Size	Wood Finish	LED Temp	Brightness	Dimming	Endcaps	Canopy Color	Cord Color
<b>2X4P</b>	<b>072</b>							
	<b>048</b> - 4' <b>072</b> - 6' <b>096</b> - 8' <b>120</b> - 10' <b>144</b> - 12'	<b>NA</b> - Natural <b>WW</b> - White-washed <b>BD</b> - Black Dye	<b>22</b> - 2200K <b>25</b> - 2500K <b>27</b> - 2700K <b>30</b> - 3000K <b>35</b> - 3500K <b>40</b> - 4000K <b>50</b> - 5000K	<b>SB</b> - Standard Brightness <b>HB</b> - High Brightness	<b>UNV</b> - TRIAC/ELV Control <b>O10</b> - 0-10V	<b>NO</b> - No end caps <b>BL</b> - Blackened Steel <b>BS</b> - Brushed Steel <b>BB</b> - Brushed Brass <b>SW</b> - Satin White	<b>SW</b> - Satin White <b>BK</b> - Black	<b>SW</b> - Satin White <b>BK</b> - Black





**AlexAllen  
Studio**

AlexAllen Studio LLC  
302 3rd Avenue  
Brooklyn, NY 11215  
T: +1 (917) 909-0405  
info@alexallenstudio.com  
www.alexallenstudio.com

# 2x4 Pendant (8ft)



Shown: Black Dye, Brushed Brass Hardware



## PRODUCT INFORMATION

**Year of Design:**  
2013

**Country of Manufacture:**  
Brooklyn, NY, USA

**Materials:**  
LED, Sustainably Harvested Eastern White Pine, Steel, Brass, Aluminum, and Acrylic

**Certifications:**  
Damp Location  
UL listed (US and Canada)

**Warranty:** 5 years

**Fixture Weight:**  
10 lbs /4.5 kg

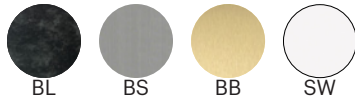
**Shipping Size and Weight:**  
104"L x 10"W x 10" H  
213 cm x 25 cm x 25 cm  
20 lbs / 9.1 kg

## FINISH OPTIONS

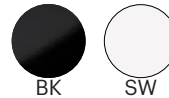
**Wood Finishes:** Natural, Whitewashed or Black Dye



**Endcap Finishes:** Blackened Steel, Brushed Steel, Brushed Brass, Satin White



**Cord and Canopy Color:** Black or White



## SPECIFICATIONS

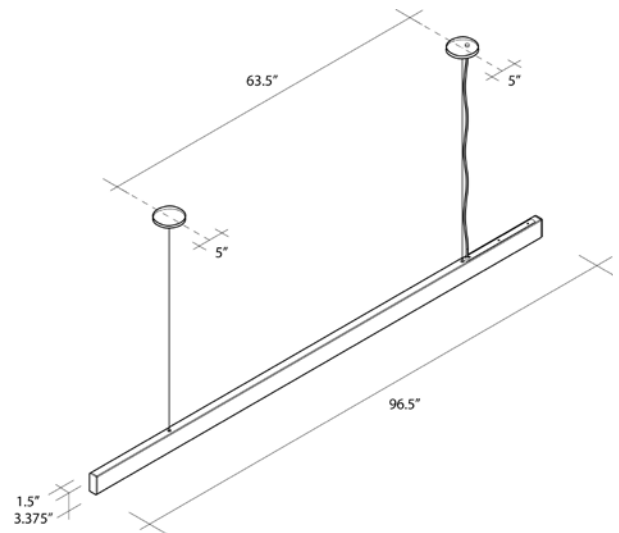
Flexible LED Module (>60,000 Hour Lifespan)  
Universal Voltage 120V-277V, 50Hz/60Hz

**Dimming Options:**  
TRIAC/ELV or 0-10 V Control\*  
\*SEE ASSEMBLY GUIDE FOR COMPATIBLE DIMMERS

**Standard Output** 1088 Lumens, 96 CRI, 30W

**LED Temperatures (K):** 2200, 2500, 2700, 3000, 3500, 4000, 5000

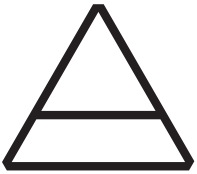
**Cord Length\*:**  
120" / 304.8 cm, Field Adjustable\*



## SPECIFICATION CODE

Fixture	Size	Wood Finish	LED Temp	Brightness	Dimming	Endcaps	Canopy Color	Cord Color
<b>2X4P</b>	<b>096</b>			<b>SB</b>				
	<b>048</b> - 4' <b>072</b> - 6' <b>096</b> - 8' <b>120</b> - 10' <b>144</b> - 12'	<b>NA</b> - Natural <b>WW</b> - White-washed <b>BD</b> - Black Dye	<b>22</b> - 2200K <b>25</b> - 2500K <b>27</b> - 2700K <b>30</b> - 3000K <b>35</b> - 3500K <b>40</b> - 4000K <b>50</b> - 5000K	<b>SB</b> - Standard Brightness	<b>UNV</b> - TRIAC/ELV Control <b>O10</b> - 0-10V	<b>NO</b> - No end caps <b>BL</b> - Blackened Steel <b>BS</b> - Brushed Steel <b>BB</b> - Brushed Brass <b>SW</b> - Satin White	<b>SW</b> - Satin White <b>BK</b> - Black	<b>SW</b> - Satin White <b>BK</b> - Black





**AlexAllen  
Studio**

AlexAllen Studio LLC  
302 3rd Avenue  
Brooklyn, NY 11215  
T: +1 (917) 909-0405  
info@alexallenstudio.com  
www.alexallenstudio.com

# 2x4 Pendant (10ft)



Shown: Black Dye, Brushed Brass Hardware



## PRODUCT INFORMATION

**Year of Design:**  
2013

**Country of Manufacture:**  
Brooklyn, NY, USA

**Materials:**  
LED, Sustainably Harvested Eastern White Pine, Steel, Brass, Aluminum, and Acrylic

**Certifications:**  
Damp Location  
UL listed (US and Canada)

**Warranty:** 5 years

**Fixture Weight:**  
12.5 lbs / 5.7 kg

**Shipping Size and Weight:**  
130"L x 10"W x 10" H  
330 cm x 25 cm x 25 cm  
22.5 lbs / 10.2 kg

## SPECIFICATIONS

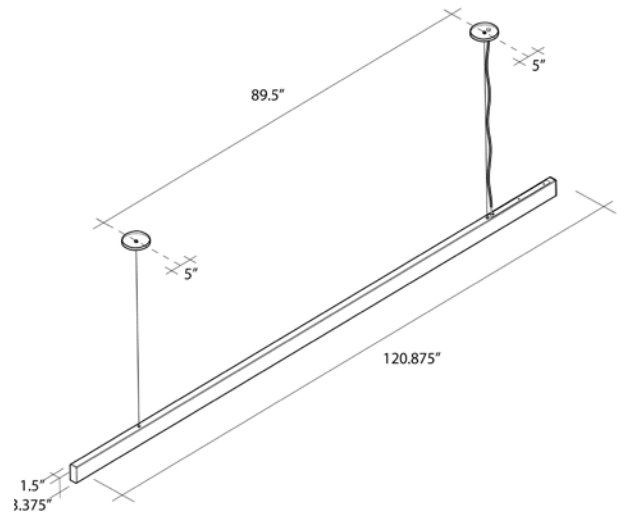
Flexible LED Module (>60,000 Hour Lifespan)  
Universal Voltage 120V-277V, 50Hz/60Hz

**Dimming Options:**  
TRIAC/ELV or 0-10 V Control\*  
\*SEE ASSEMBLY GUIDE FOR COMPATIBLE DIMMERS

**Standard Output** 1374 Lumens, 96 CRI, 41.6W

**LED Temperatures (K):** 2200, 2500, 2700, 3000, 3500, 4000, 5000

**Cord Length\*:**  
120" / 304.8 cm, Field Adjustable\*



## FINISH OPTIONS

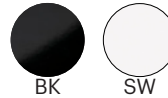
**Wood Finishes:** Natural, Whitewashed or Black Dye



**Endcap Finishes:** Blackened Steel, Brushed Steel, Brushed Brass, Satin White



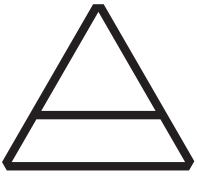
**Cord and Canopy Color:**  
Black or White



## SPECIFICATION CODE

Fixture	Size	Wood Finish	LED Temp	Brightness	Dimming	Endcaps	Canopy Color	Cord Color
<b>2X4P</b>	<b>120</b>			<b>SB</b>				
	<b>048</b> - 4' <b>072</b> - 6' <b>096</b> - 8' <b>120</b> - 10' <b>144</b> - 12'	<b>NA</b> - Natural <b>WW</b> - White-washed <b>BD</b> - Black Dye	<b>22</b> - 2200K <b>25</b> - 2500K <b>27</b> - 2700K <b>30</b> - 3000K <b>35</b> - 3500K <b>40</b> - 4000K <b>50</b> - 5000K	<b>SB</b> - Standard Brightness	<b>UNV</b> - TRIAC/ELV Control <b>O10</b> - 0-10V	<b>NO</b> - No end caps <b>BL</b> - Blackened Steel <b>BS</b> - Brushed Steel <b>BB</b> - Brushed Brass <b>SW</b> - Satin White	<b>SW</b> - Satin White <b>BK</b> - Black	<b>SW</b> - Satin White <b>BK</b> - Black





**AlexAllen  
Studio**

AlexAllen Studio LLC  
302 3rd Avenue  
Brooklyn, NY 11215  
T: +1 (917) 909-0405  
info@alexallenstudio.com  
www.alexallenstudio.com

## 2x4 Pendant (12ft)



Shown: Black Dye, Brushed Brass Hardware



### PRODUCT INFORMATION

**Year of Design:**  
2013

**Country of Manufacture:**  
Brooklyn, NY, USA

**Materials:**  
LED, Sustainably Harvested  
Eastern White Pine, Steel,  
Brass, Aluminum, and  
Acrylic

**Certifications:**  
Damp Location  
UL listed (US and Canada)

**Warranty:** 5 years

**Fixture Weight:**  
15 lbs / 6.8 kg

**Shipping Size and Weight:**  
150"L x 10"W x 10" H  
381 cm x 25 cm x 25 cm  
25 lbs / 11.3 kg

### FINISH OPTIONS

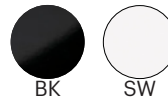
**Wood Finishes:** Natural,  
Whitewashed or Black Dye



**Endcap Finishes:** Blackened Steel, Brushed Steel,  
Brushed Brass, Satin White



**Cord and Canopy Color:**  
Black or White



### SPECIFICATIONS

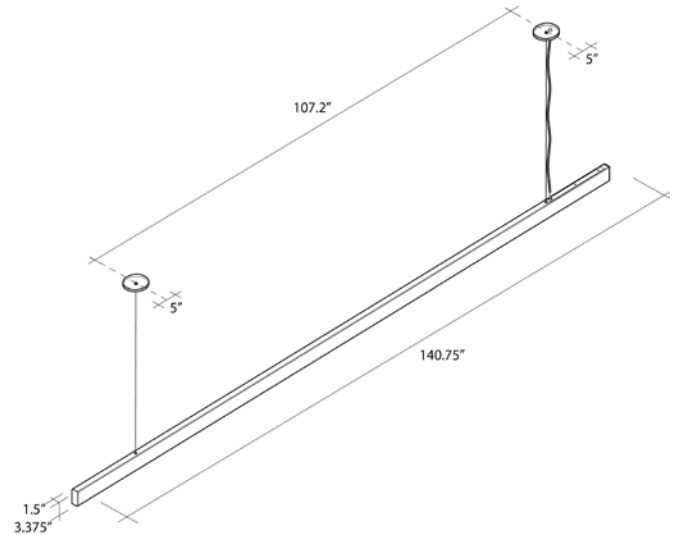
Flexible LED Module (>60,000 Hour Lifespan)  
Universal Voltage 120V-277V, 50Hz/60Hz

**Dimming Options:**  
TRIAC/ELV or 0-10 V Control\*  
\*SEE ASSEMBLY GUIDE FOR COMPATIBLE  
DIMMERS

**Standard Output** 1603 Lumens, 96 CRI,  
48.5W

**LED Temperatures (K):** 2200, 2500, 2700,  
3000, 3500, 4000, 5000

**Cord Length\*:**  
120" / 304.8 cm, Field Adjustable\*



### SPECIFICATION CODE

Fixture	Size	Wood Finish	LED Temp	Brightness	Dimming	Endcaps	Canopy Color	Cord Color
<b>2X4P</b>	<b>144</b>			<b>SB</b>				
	<b>048</b> - 4' <b>072</b> - 6' <b>096</b> - 8' <b>120</b> - 10' <b>144</b> - 12'	<b>NA</b> - Natural <b>WW</b> - White-washed <b>BD</b> - Black Dye	<b>22</b> - 2200K <b>25</b> - 2500K <b>27</b> - 2700K <b>30</b> - 3000K <b>35</b> - 3500K <b>40</b> - 4000K <b>50</b> - 5000K	<b>SB</b> - Standard Brightness	<b>UNV</b> - TRIAC/ ELV Control <b>O10</b> - 0-10V	<b>NO</b> - No end caps <b>BL</b> - Blackened Steel <b>BS</b> - Brushed Steel <b>BB</b> - Brushed Brass <b>SW</b> - Satin White	<b>SW</b> - Satin White <b>BK</b> - Black	<b>SW</b> - Satin White <b>BK</b> - Black

